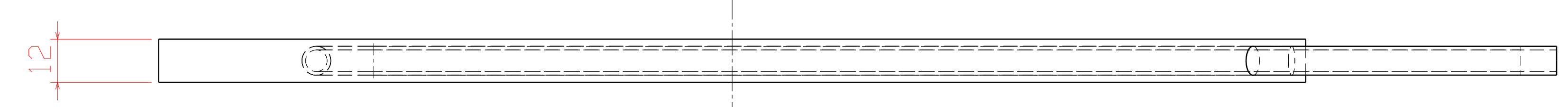
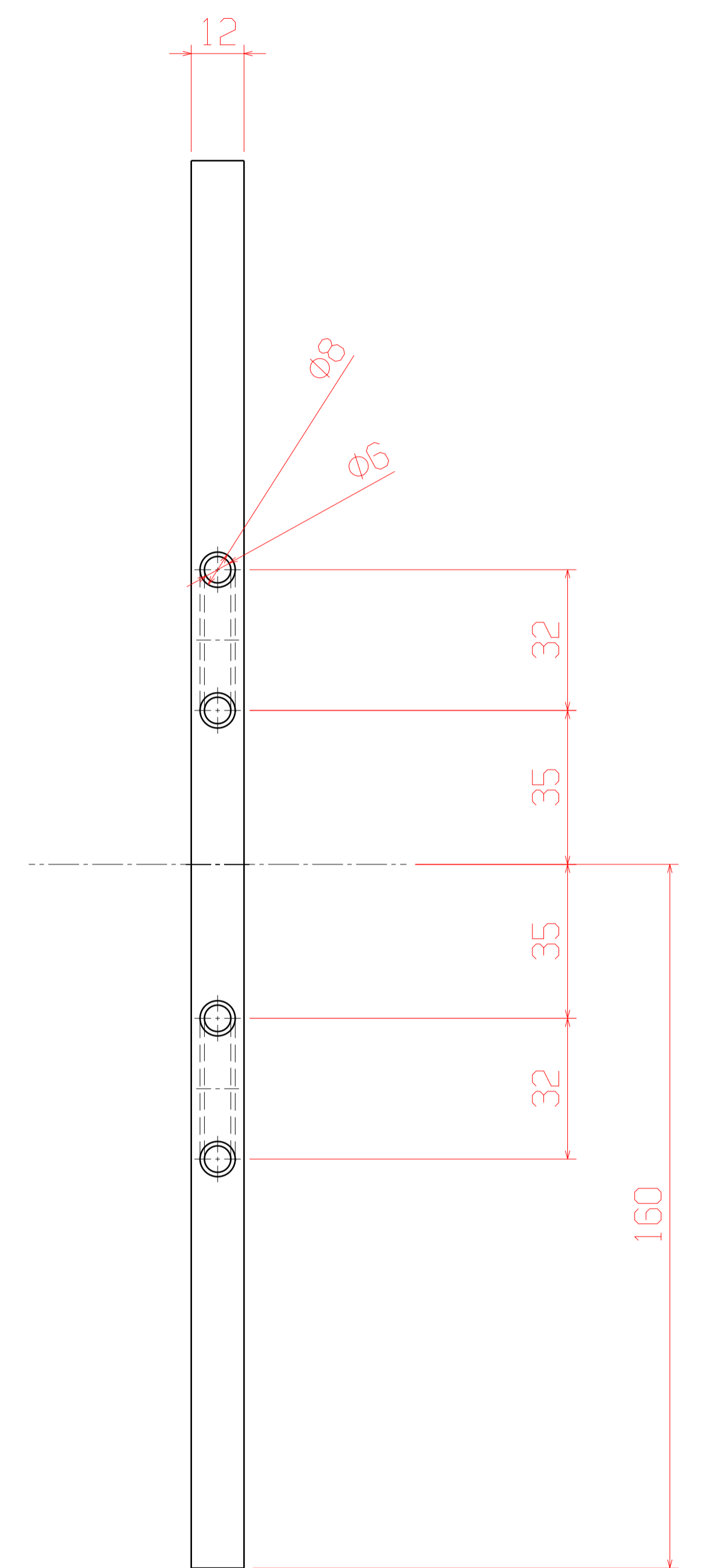
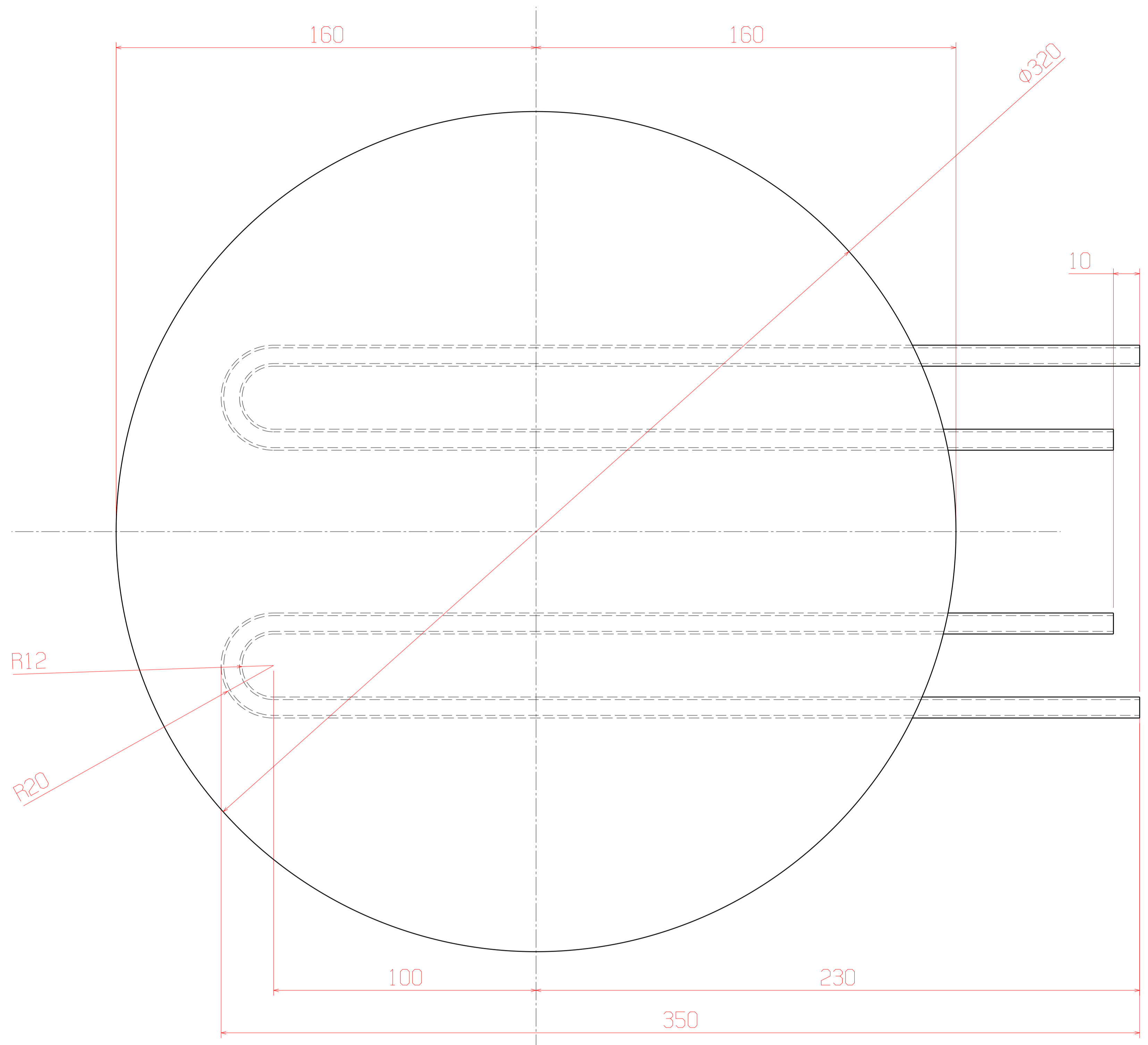


P O N M L K J I H G F E D C B A

8 7 6 5 4 3 2 1



|   |             |                    |                            |               |          |
|---|-------------|--------------------|----------------------------|---------------|----------|
| This drawing is our property. It can't be reproduced or communicated without our written agreement. |             | <b>SH-005</b>      |                            |               |          |
| DRAWN BY<br>Cedrick J. Tolentino  |             | DATE<br>12/28/2018 |                            | DRAWING TITLE |          |
| CHECKED BY<br>XXX   | DATE<br>xxx | SIZE<br>A1         | DRAWING NUMBER<br>Design 2 |               | REV<br>X |
| DESIGNED BY<br>XXX  | DATE<br>xxx | SCALE<br>1:1       | WEIGHT(kg)<br>X            | SHEET<br>1/1  |          |

P O N M L K J I H G F E D C B A